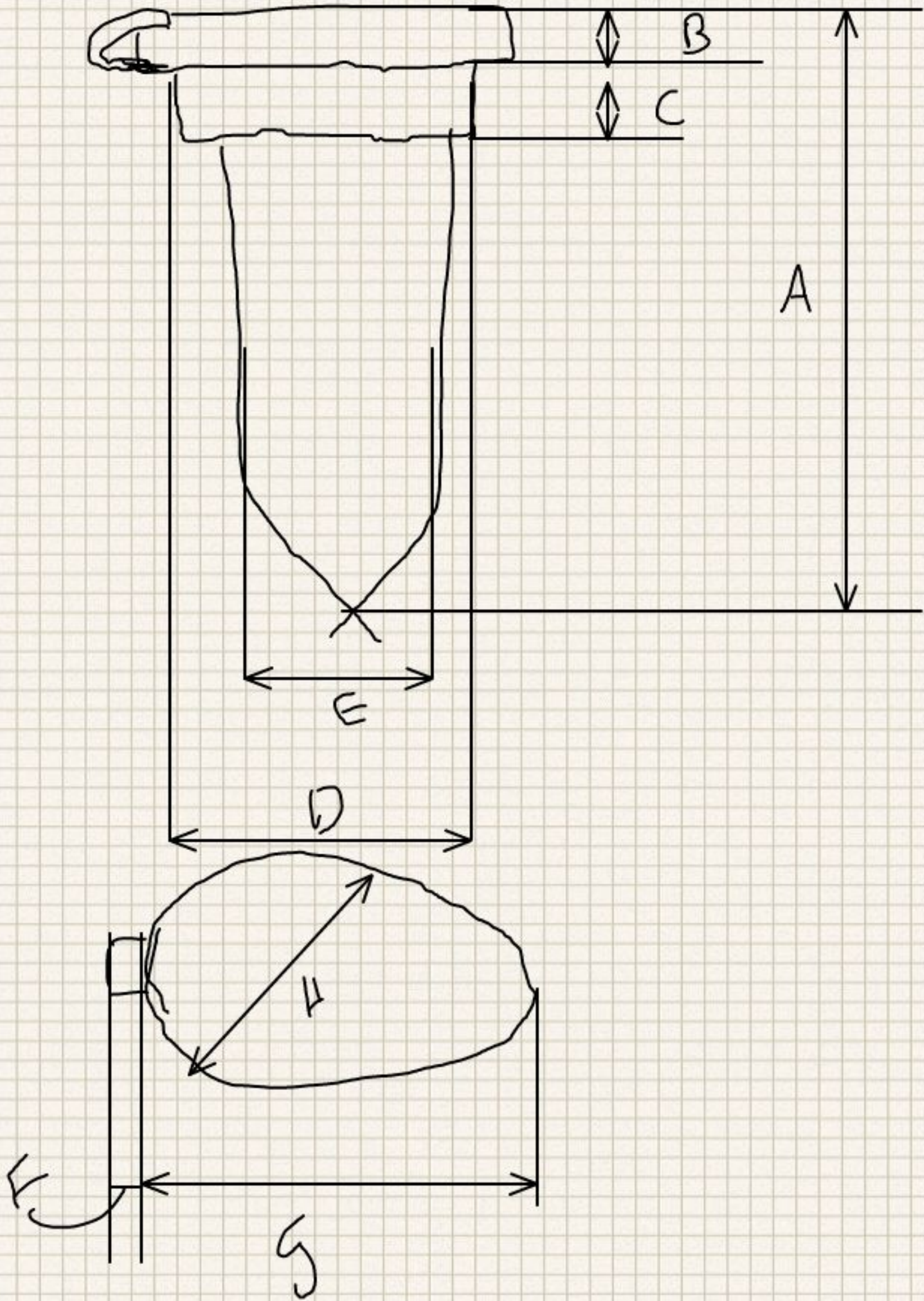


EPPG tube Dimensions

Avery Lovie

2013

CC BY SA



A-length of tube

B-thickness of lid

C-thickness of top of tube

D-diameter of tube top

E-diameter of tube

F-approx length of hinge.

from end to tangent to lid.

G-width of tube top

H-diameter of tube top

	± 1	± 2	± 3	± 4
A	1.576	1.618	1.245	.846
B	.0615	.0600	.0370	.0320
C	.0450	.1060	.0380	.0260
D	.500	.503	.388	.2725
E	.4285	.418	.300	.2410
F	.173	.159	.118	.131
G	.796	.739	.584	.462
H	.508	.513	.490	.278

Dimensions in inches.

Tenths of thousandths

place approximated. +/- .002

Sample 1- multi color tube
from Carolina biological
1.5ml

Sample 2- epoendorf brand
(?not 100% sure) 1.5ml

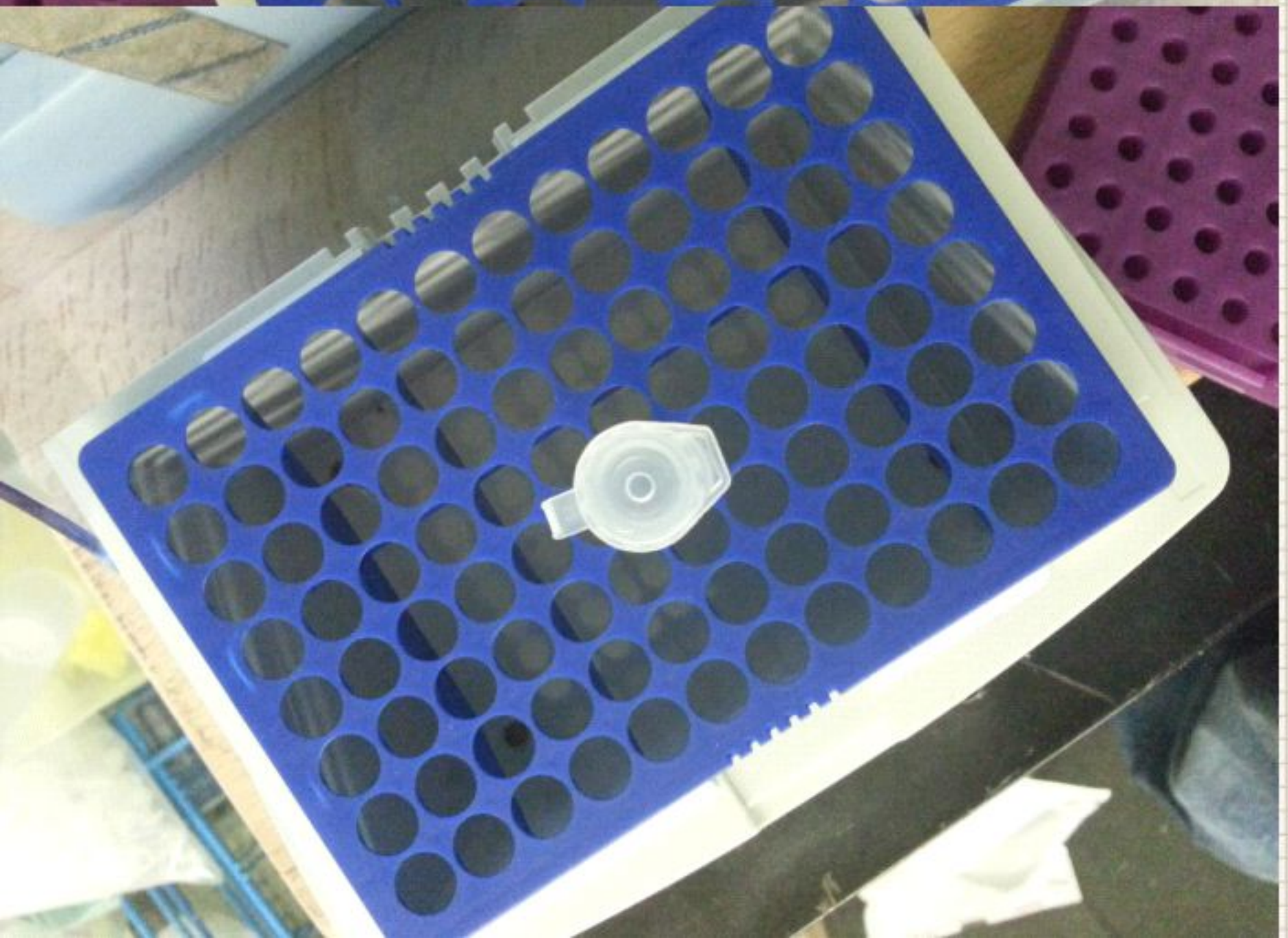
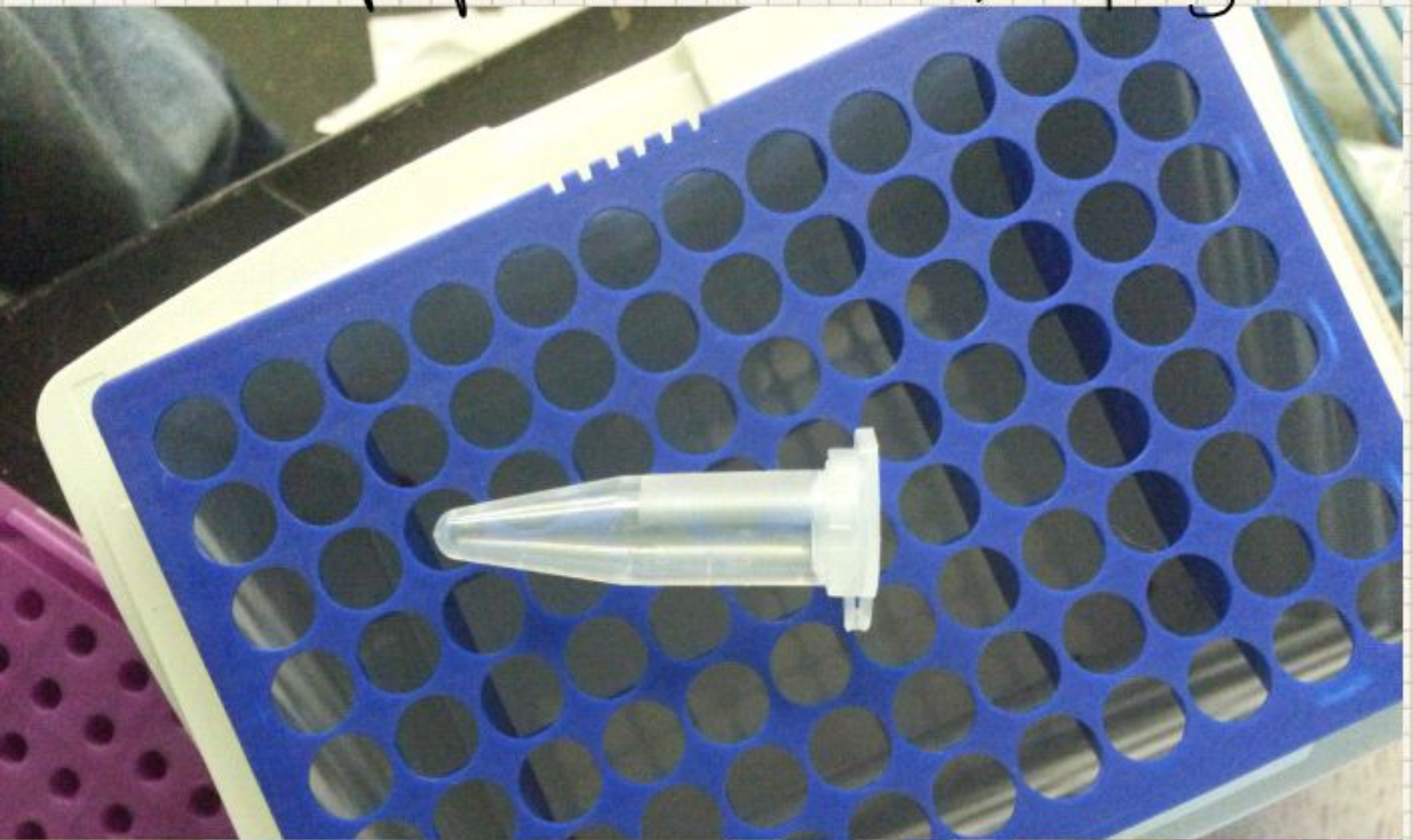
Sample 3- .5ml geneamp
thin wall for pcr

Sample 4- biologix .2ml tube
flat top for pcr

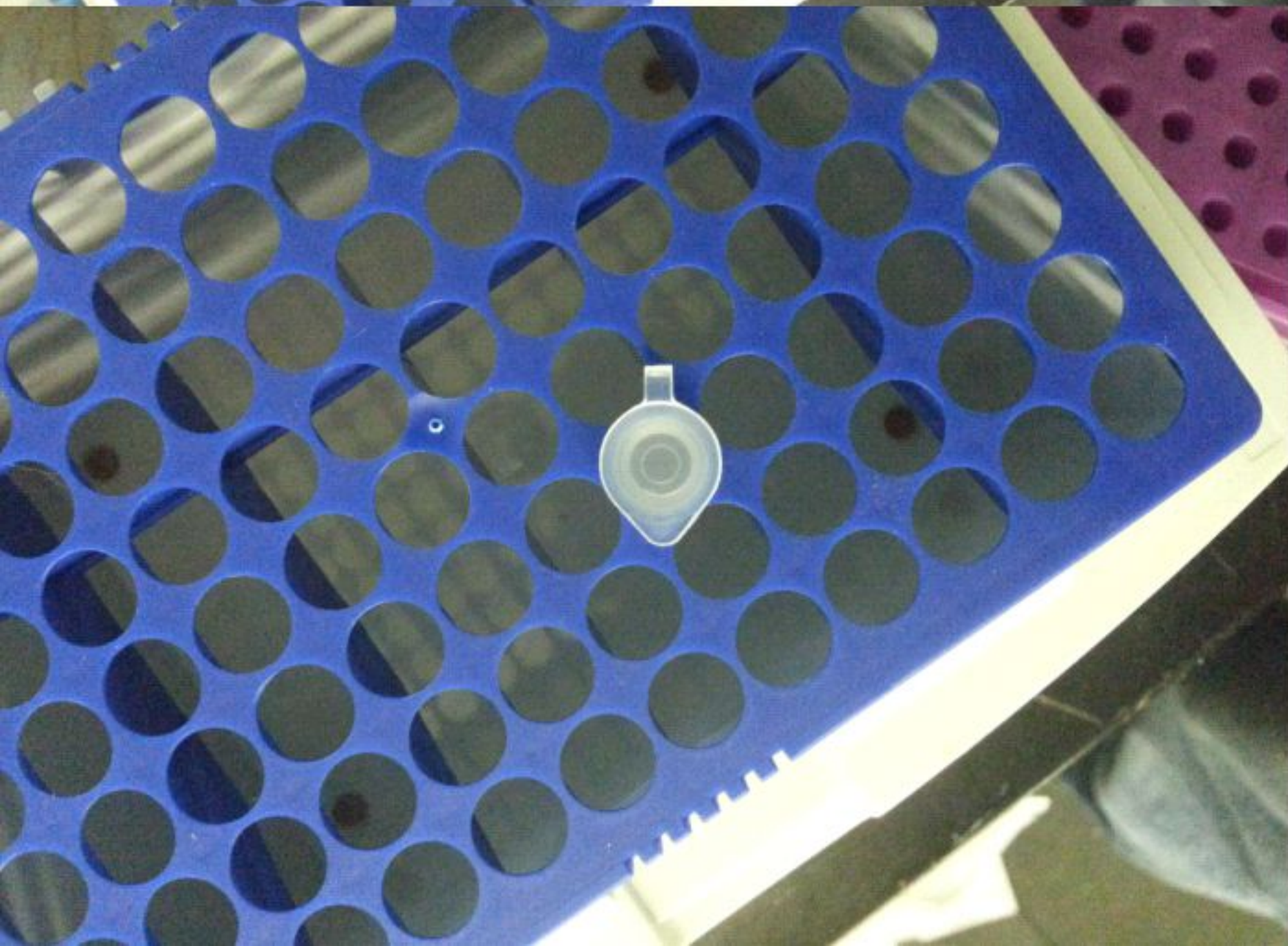
Carolina 1.5 ml



Eppendorf? 1.5 ml



Gene amp 5 ml



Biologix .2 ml

